



**SUZUKI**  
**MARINE**

Parts Book

DT2 86~96

DT2.2 97

PREFACE

When it becomes necessary to replace parts on SUZUKI OUTBOARD MOTORS, always use SUZUKI GENUINE PARTS which have passed a strict inspection which guarantees quality and performance.

This parts catalogue covers the list of all service parts for SUZUKI DT2, '86-'96 MODEL, DT2.2 '97 MODEL.

INSTRUCTIONS FOR QUOTING THE CATALOGUE

1. DIMENSIONS

Dimensions of the parts in this catalogue are indicated in unit millimeters.

2. ABBREVIATIONS

Abbreviations used in this catalogue are as follows:

- AR : As required
- ASSY : Assembly
- E.No. : Engine number
- F.No. : Frame number
- d : Diameter of material
- ID : Inside diameter
- OD : Outside diameter
- L : Length
- LH : Left hand side
- RH : Right hand side
- 123456 : Up to F.No.0201-123456
- 123456- : From F.No.0201-123456
- NT : Number of teeth
- OPT : Optional
- OS : Over size
- STD : Standard
- T : Thickness
- US : Under size
- W : Width
- S,L,UL,LL : Transom type

12 x 34 x 5.6 .....Figures in the description column show the dimensions of parts.

ID OD T(or W,L)

-12345-56781 (Parts No.) : indicates that the parts number was changed to 12345-56781 and the new parts are interchangeable with the former ones but the former ones are not interchangeable with new ones.

+12345-56781 (Parts No.) : indicates that the former and new parts are interchangeable with each other and both are usable.

3. INNER PARTS OF ASSEMBLY

Part name with a dot (.) in front as shown in the description column indicates the component of the assembly also available individually.

4. MODIFICATION NOTICE

A parts bulletin will be sent to you on all occasions when changes in parts occur, including interchangeable modifications between new parts and old ones.

5. NOTE

- 5-1. There are some different parts from those of production models among spare parts for the administrative reasons and common use of them with other models.
- 5-2. In respect of rubber hoses and vinyl tubes, please be sure to use them by cutting off according to the length mentioned on parts catalogue or what is actually required on the vehicle.
- 5-3. Note that the drawings on the illustration page are for ready reference of spare parts number, not to be used as an assembly manual. When assembling, use "SUZUKI SERVICE MANUAL".

6. ENGINE NUMBER

- DT2 VG ('86 MODEL) : 0201-671289-
- DT2 VH ('87 MODEL) : 0201-783131-
- DT2 VJ ('88 MODEL) : 0201-889614-
- DT2 VK ('89 MODEL) : 0201-901048-
- DT2 VL ('90 MODEL) : 0201-011001-
- DT2 VM ('91 MODEL) : 0201-131001-
- DT2 VN ('92 MODEL) : 0201-231001-
- DT2 VP ('93 MODEL) : 0201-351001-
- DT2 VR ('94 MODEL) : 0201-461001-
- DT2 VS ('95 MODEL) : 0201-581001-
- DT2 VT ('96 MODEL) : 0201-651001-
- DT2.2VV('97 MODEL) : 00221-751001-

FIG.1

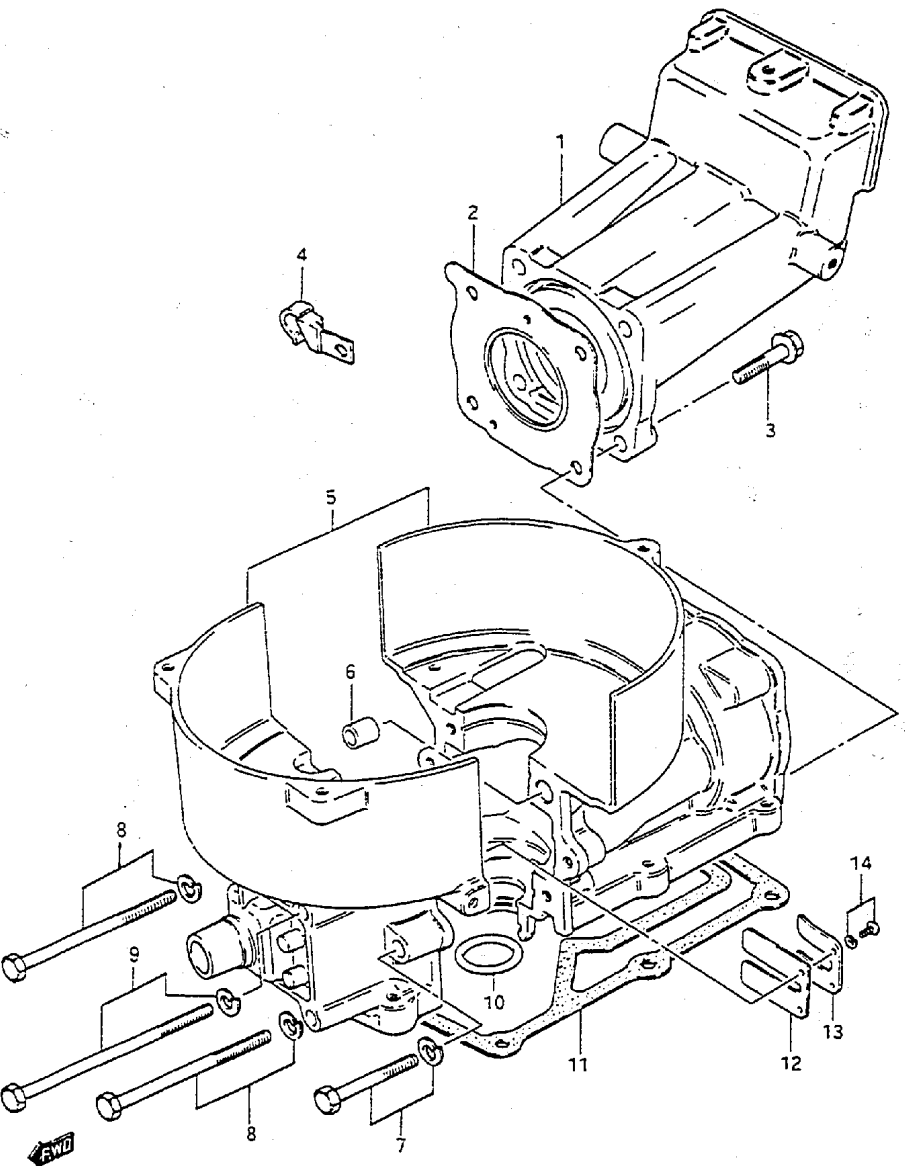


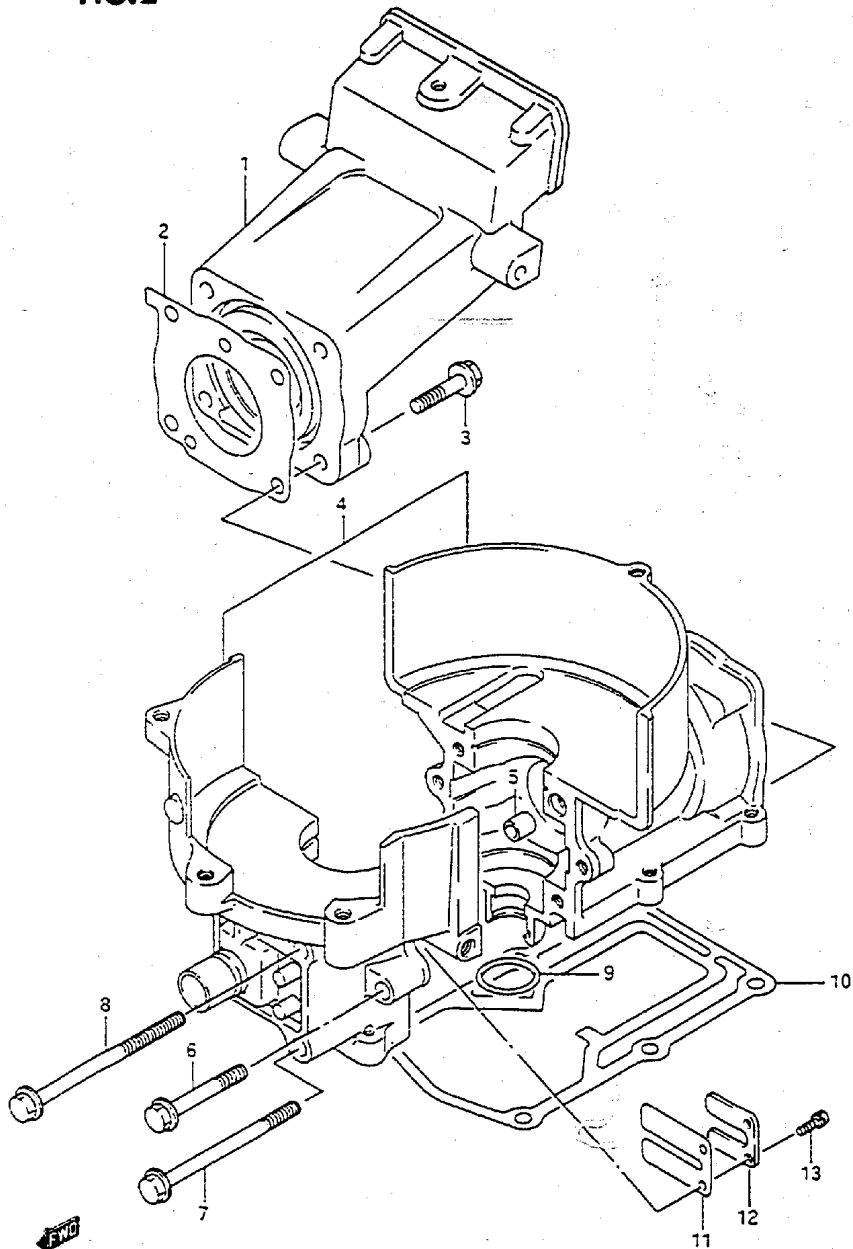
FIG.1 ( B- 2) CYLINDER (MODEL:86-89)

REF NO.	PART NO	DESCRIPTION	Q'TY	REMARKS
1	11111-98421-OED	HEAD, cylinder	1	
2	11141-98411	GASKET, cylinder head	1	
3	09103-06157	BOLT (6x28)	4	
4	09403-10312	CLAMP	1	
5-1	11301-98403-02M	CYLINDER/CRANKCASE ASSY	1	->11301-98404-OED used with 08211-32441(2)
5-2	11301-98404-OED	CYLINDER/CRANKCASE ASSY	1	model:89
6	04211-09109	.DOWEL PIN	2	
7	01550-06357	.BOLT (6x35)	2	
8	01550-06657	.BOLT	2	
9	01550-06707	.BOLT	2	
10	09280-20002	O RING (ID:19.4, d:3.1)	1	
11	52113-98411	GASKET, drive shaft housing	1	
12	13153-19012	VALVE, reed	1	
13	13152-19010	STOPPER, reed valve	1	
14	02112-33088	SCREW	2	

COLOR : OED (Gray)

Refer to FIG.2 (B-3) for MODEL:90-97

FIG.2



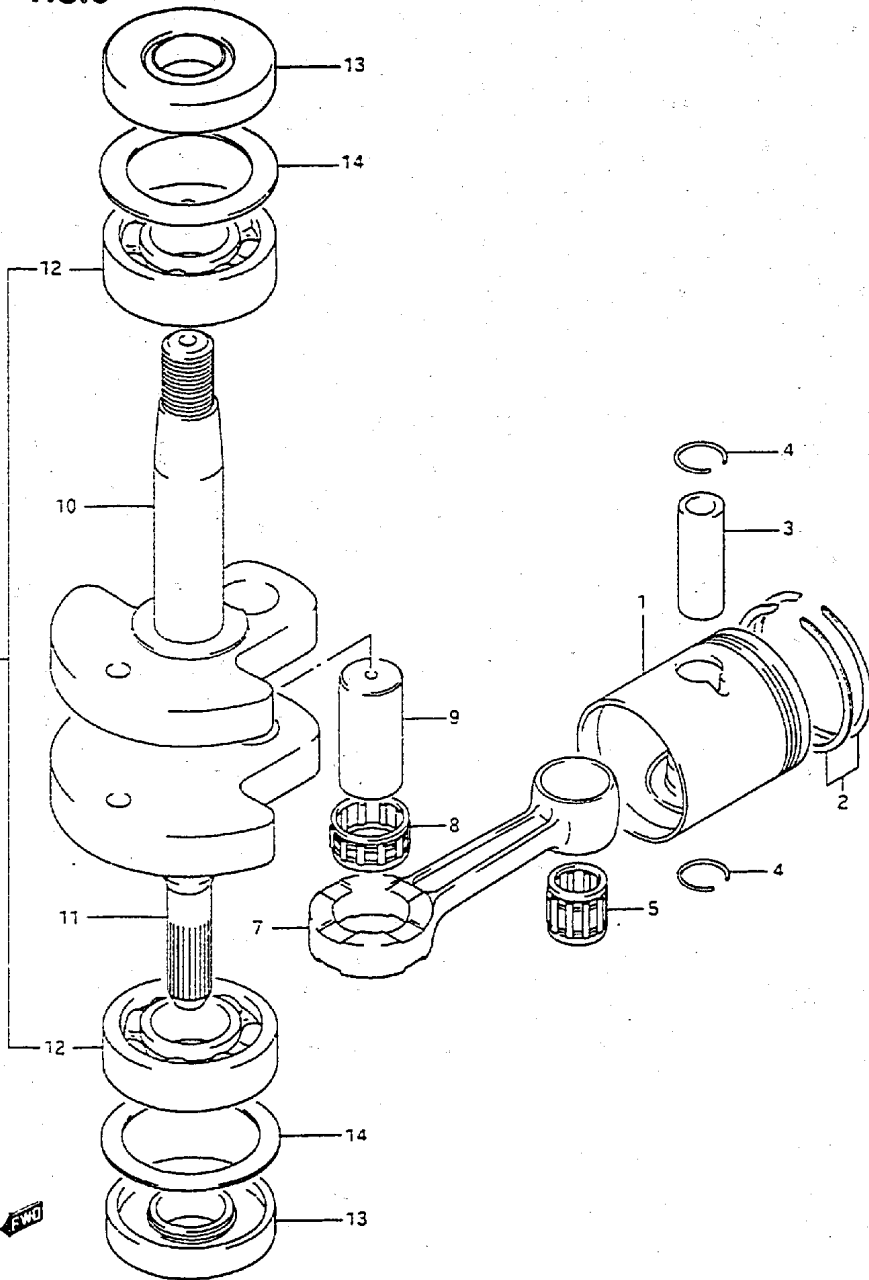
2

FIG.2 ( B- 3) CYLINDER (MODEL:90-97)

RBE NO.	PART NO	DESCRIPTION	Q'TY	REMARKS
1	11111-98421-OED HEAD, cylinder		1	
2-1	11141-98411	GASKET, cylinder head	1	DT2
2-2	11141-94D20	GASKET, cylinder head	1	DT2.2 model:97
3-1	09103-06157	BOLT (6x28)	4	DT2
3-2	01580-06307	BOLT	4	DT2.2 model:97
4-1	11301-98412-OED CYLINDER/CRANKCASE ASSY		1	DT2
4-2	11301-94D02-OED CYLINDER/CRANKCASE ASSY		1	DT2.2 model:97
5	04211-09109	.DOWEL PIN	2	
6	01550-06357	.BOLT	2	
7-1	01550-06657	.BOLT	2	-model:93.
7-2	01550-06707	.BOLT	2	DT2/2.2 model:94-97
8	01550-06707	.BOLT	2	
9	09280-20002	O RING	1	
10	52113-98411	GASKET, driveshaft housing	1	
11	13153-19012	VALVE, reed	1	
12	13152-19010	STOPPER, reed valve	1	
13-1	02112-33088	SCREW	2	
13-2	02112-33083	SCREW	2	model:94-97

COLOR : OED (Gray)

FIG.3



3

FIG.3 ( B- 4) CRANKSHAFT

REF NO.	PART NO	DESCRIPTION	Q'TY	REMARKS
1-1	12110-98402	PISTON	1	DT2
1-2	12110-94000	PISTON	1	DT2.2 model:97
1-3	12100-98402-025	PISTON/RING SET (OS:0.25)	1	OPT DT2
1-4	12100-94000-025	PISTON/RING SET (OS:0.25)	1	OPT DT2.2 model:97
1-5	12100-98402-050	PISTON/RING SET (OS:0.5)	1	OPT DT2
1-6	12100-94000-050	PISTON/EING SET (OS:0.5)	1	OPT DT2.2 model:97
2-1	12140-98400	RING SET, piston	1	DT2
2-2	12140-36232	RING SET, piston	1	DT2.2 model:97
3	12151-04700	PIN, piston	1	
4	09381-12001	CIRCLIP	2	
5	09263-12020	BEARING (12x16x15.8)	1	
6	12200-98404	CRANKSHAFT ASSY	1	
7	12161-98400	.ROD, connecting	1	
8	09263-15014	.BEARING (15x21x9.8)	1	
9	12211-47A00	.PIN, crank	1	
10	12221-98402	.CRANKSHAFT, upper	1	
11	12231-98403	.CRANKSHAFT, lower	1	
12	09262-17023	.BEARING	2	
13	09283-17002	OIL SEAL (17x40x7)	2	
14	08211-32441	WASHER, thrust	2	

FIG.4

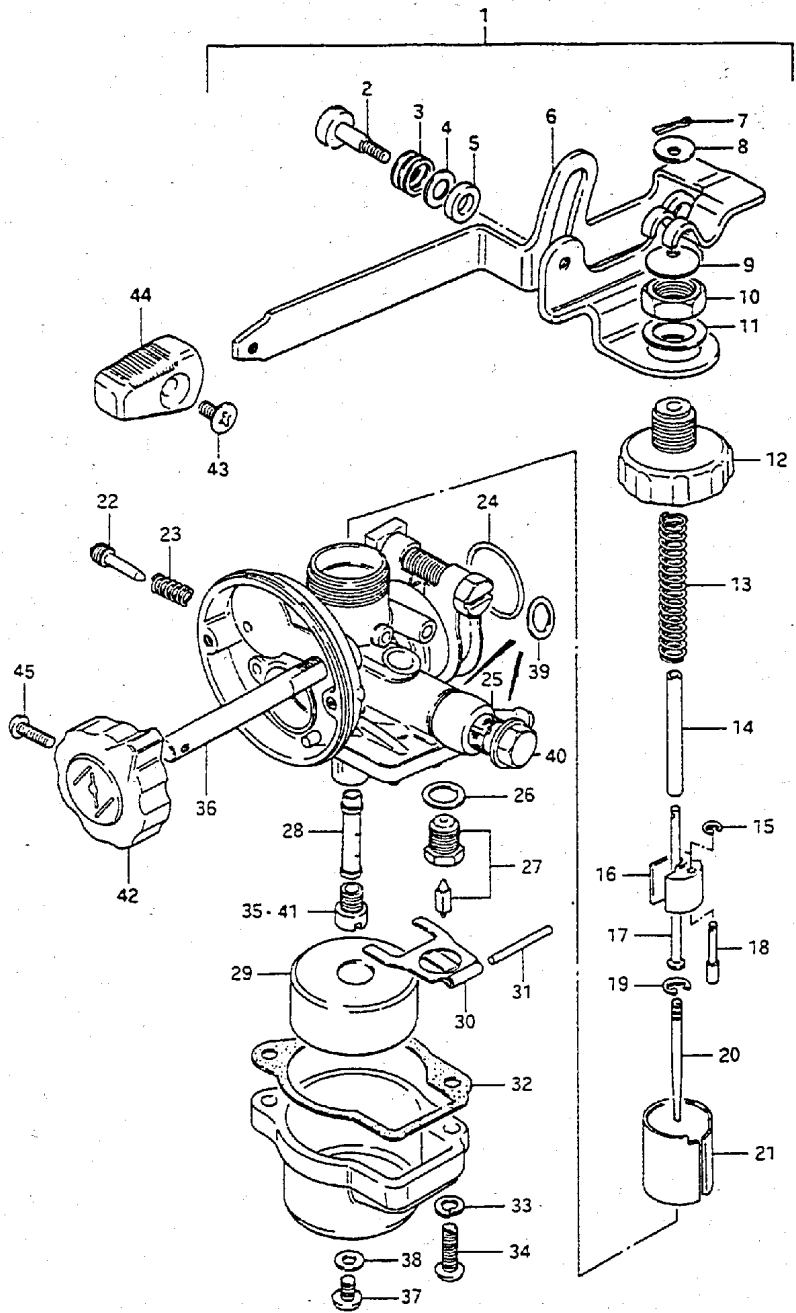


FIG.4 ( B- 5) CARBURETOR (MODEL:86-89)

REF NO.	PART NO	DESCRIPTION	Q'TY	REMARKS
1-1	13200-98420	CARBURETOR ASSY	1	model:86 →13200-984FO
1-2	13200-98460	CARBURETOR ASSY	1	model:87 →13200-984FO
1-3	13200-98400	CARBURETOR ASSY	1	model:88,89 →13200-984FO
2	13433-98410	.SCREW	1	
3	13426-98410	.LOCK WASHER	1	
4	13615-98412	.WASHER	1	
5	13432-33110	.RING, friction	1	
6	13564-98411	.LEVER ASSY, throttle	1	
7	04111-12108	.COTTER PIN	1	
8	13557-98410	.PLATE	1	
9	13557-98430	.PLATE	1	
10	13567-98412	.NUT	1	
11	13589-98411	.WASHER	1	
12	13265-98411	.TOP, carburetor	1	
13	13573-98411	.SPRING	1	
14	13552-98411	.PIPE	1	
15	13533-98410	.E RING	1	
16	13545-98410	.SEAT, spring	1	
17	13552-98410	.ROD, throttle	1	
18	13563-98410	.PIN, seat	1	
19	13394-40000	.CLIP	1	
20	13383-98410	.NEEDLE, jet	1	
21	13551-98430	.VALVE, throttle (CA:1.5)	1	
22	13267-01010	.SCREW, stop	1	
23	13268-01010	.SPRING	1	
24	13295-98410	.O RING	1	
25	13376-98400	.FILTER	1	
26	13392-01010	.GASKET, valve seat	1	
27	13370-23010	.VALVE ASSY, needle	1	

Refer to FIG.5 (B-7) for MODEL:90-97

FIG.4

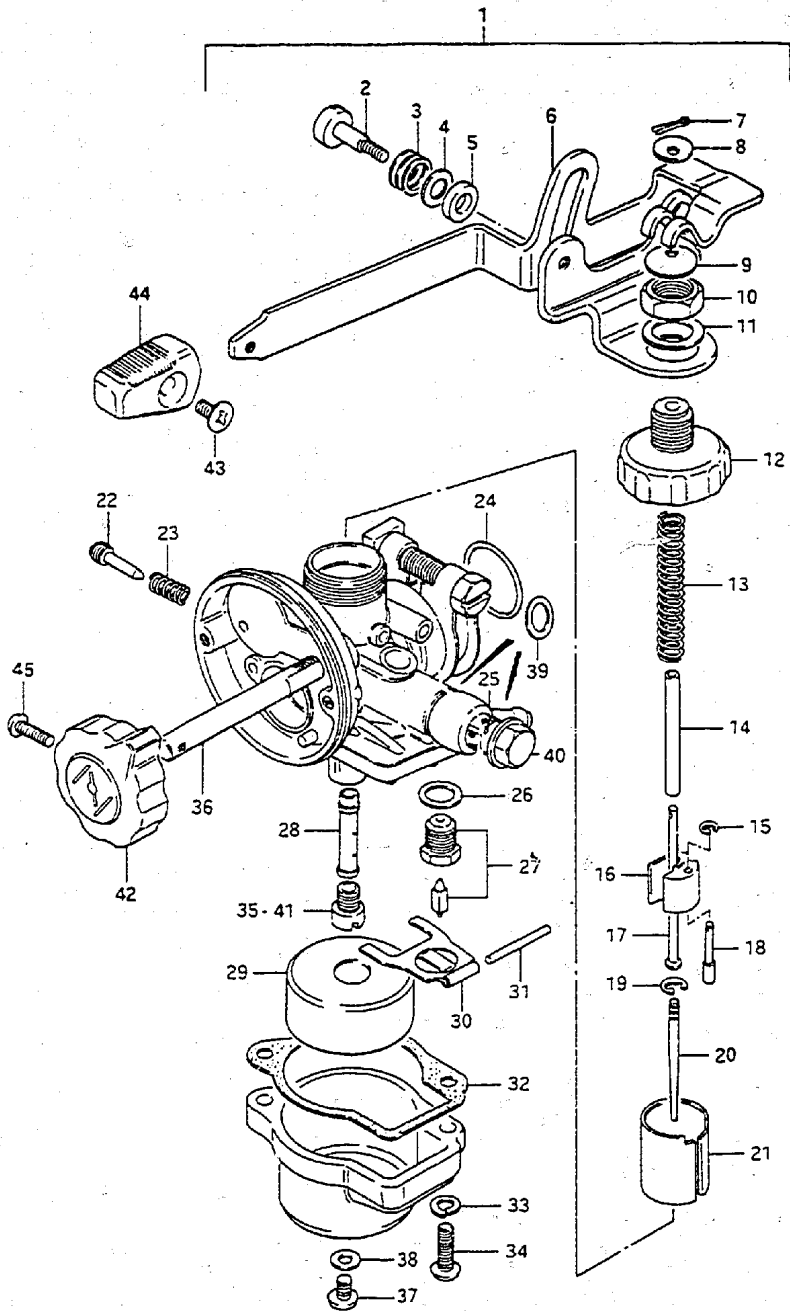
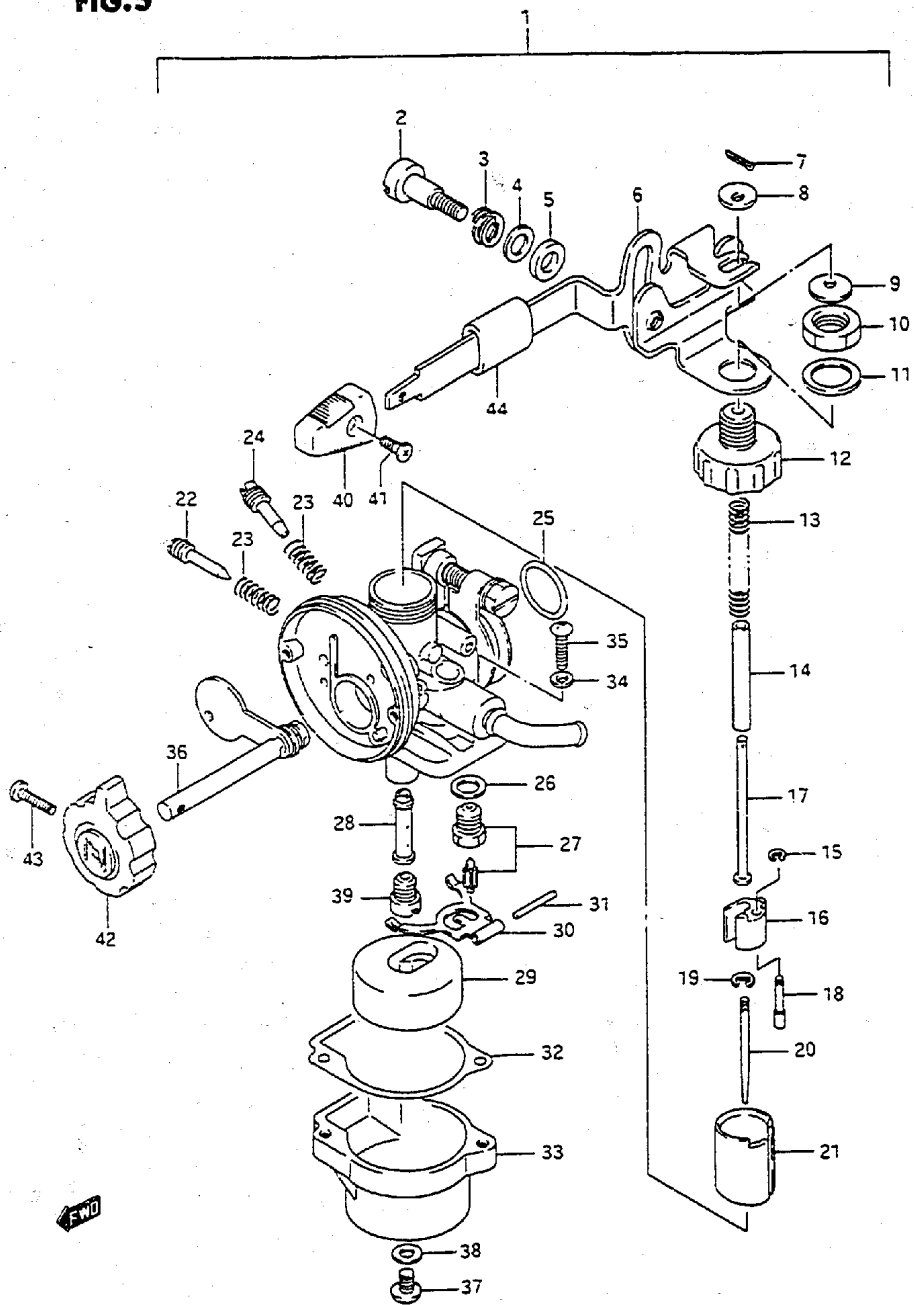


FIG.4 ( B-6) CARBURETOR (MODEL:86-89)

REF NO.	PART NO	DESCRIPTION	Q'TY	REMARKS
28	09494-00179	.NOZZLE, needle	1	
29	13252-98430	.FLOAT	1	
30	13253-98430	.ARM, float	1	
31	13254-98410	.PIN, float	1	
32	13251-98420	.GASKET	1	
33	98321-01043	.LOCK WASHER	2	
34	02112-04163	.SCREW	2	
35	09491-90006	.JET, main (#90)	1	
36	13586-98410	.SHAFT, choke	1	
37	09125-05122	.SCREW	1	
38	13523-46110	.GASKET	1	
39	13292-98410	.WASHER	2	
40	13275-98411	.BOLT	1	
41-1	09491-85005	JET, main (#85)	1	OPT
41-2	09491-90006	JET, main (#90)	1	OPT
41-3	09491-95004	JET, main (#95)	1	OPT
41-4	09491-20013	JET, main (#100)	1	OPT
42	88851-64001	KNOB, throttle link	1	
43	02122-03067	SCREW	1	
44	13631-98410	KNOB, choke	1	
45	02112-03107	SCREW	1	

FIG. 5



6

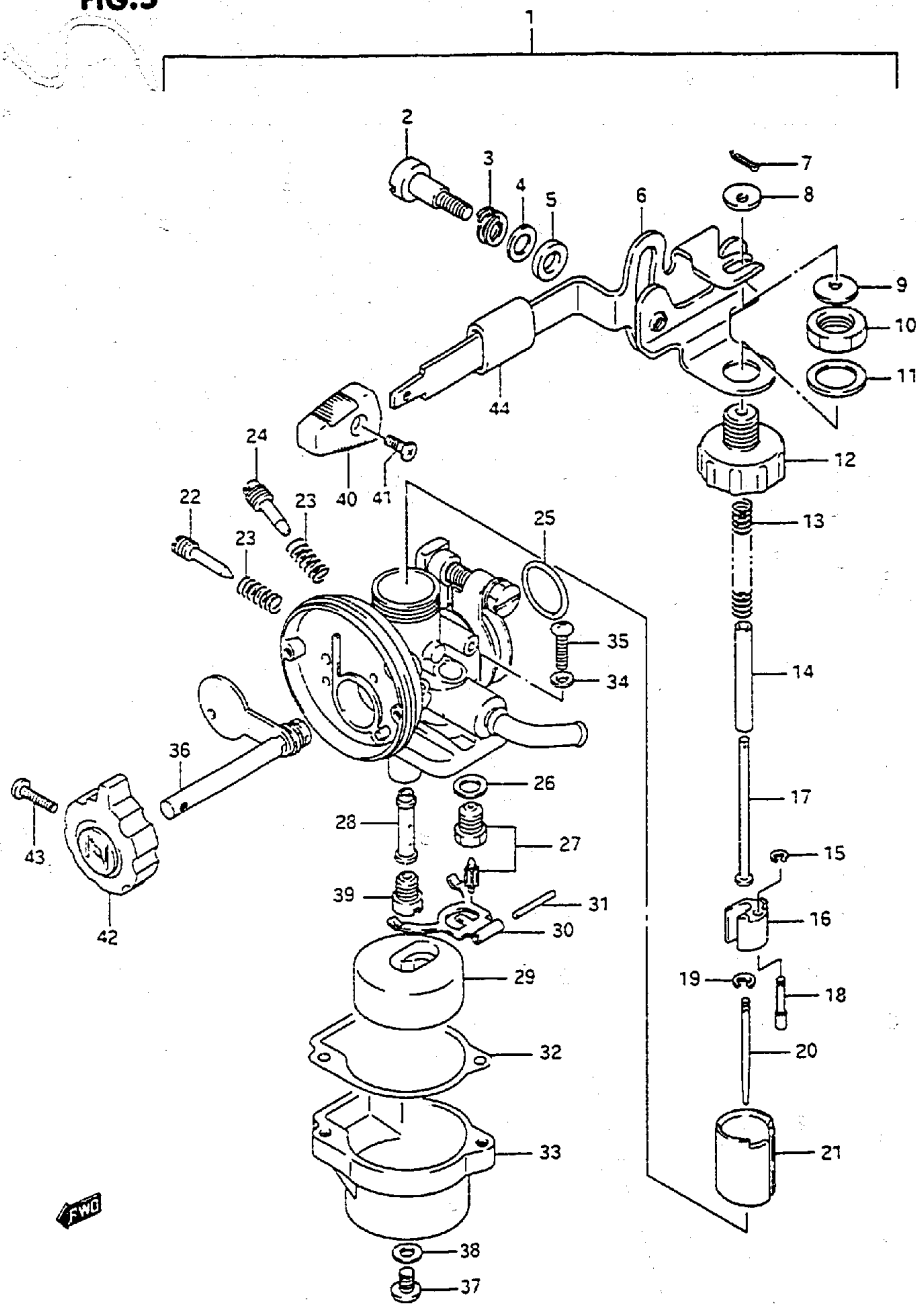
FIG. 5 ( B- 7) CARBURETOR (MODEL:90-97)

Q'TY

REF NO.	PART NO	DESCRIPTION	Q'TY	REMARKS
1-1	13200-984FD	CARBURETOR	1	DT2
1-2	13200-984GD	CARBURETOR	1	DT2.2 model:97
2	13433-98410	.SCREW	1	
3	13426-98410	.SPRING	1	
4	13615-98412	.WASHER	1	
5	13432-33110	.WASHER	1	
6	13564-98420	.LEVER, throttle	1	
7	04111-12108	.COTTER PIN	1	
8	13557-98410	.PLATE	1	
9	13557-98430	.PLATE	1	
10	13567-98412	.NUT	1	
11	13589-98411	.WASHER	1	
12	13265-98411	.TOP, carburetor	1	
13	13573-98411	.SPRING, throttle valve	1	
14	13552-98411	.PIPE	1	
15	13533-98410	.E RING	1	
16	13545-98410	.SEAT, spring	1	
17	13552-98410	.ROD, throttle	1	
18	13563-98410	.PIN, seat	1	
19	13394-40000	.CLIP, needle	1	
20-1	13383-98410	.NEEDLE, jet	1	DT2
20-2	13383-98420	.NEEDLE, jet	1	DT2.2 model:97
21-1	13551-98430	.VALVE, throttle (CA:1.5)	1	DT2
21-2	13551-98440	.VALVE, throttle (CA:2.5)	1	DT2.2 model:97
22	13267-01010	.SCREW, throttle stop	1	
23	13268-01010	.SPRING	2	
24	13269-01010	.SCREW, air	1	
25	13295-98410	.O RING	1	
26	13392-01010	.GASKET, valve seat	1	
27	13370-23010	.VALVE, needle	1	
28	09494-00175	.NOZZLE, needle	1	
29	13252-98430	.FLOAT	1	



FIG.5



7

FIG.5 ( B- 8) CARBURETOR (MODEL:90-97)

Q'TY

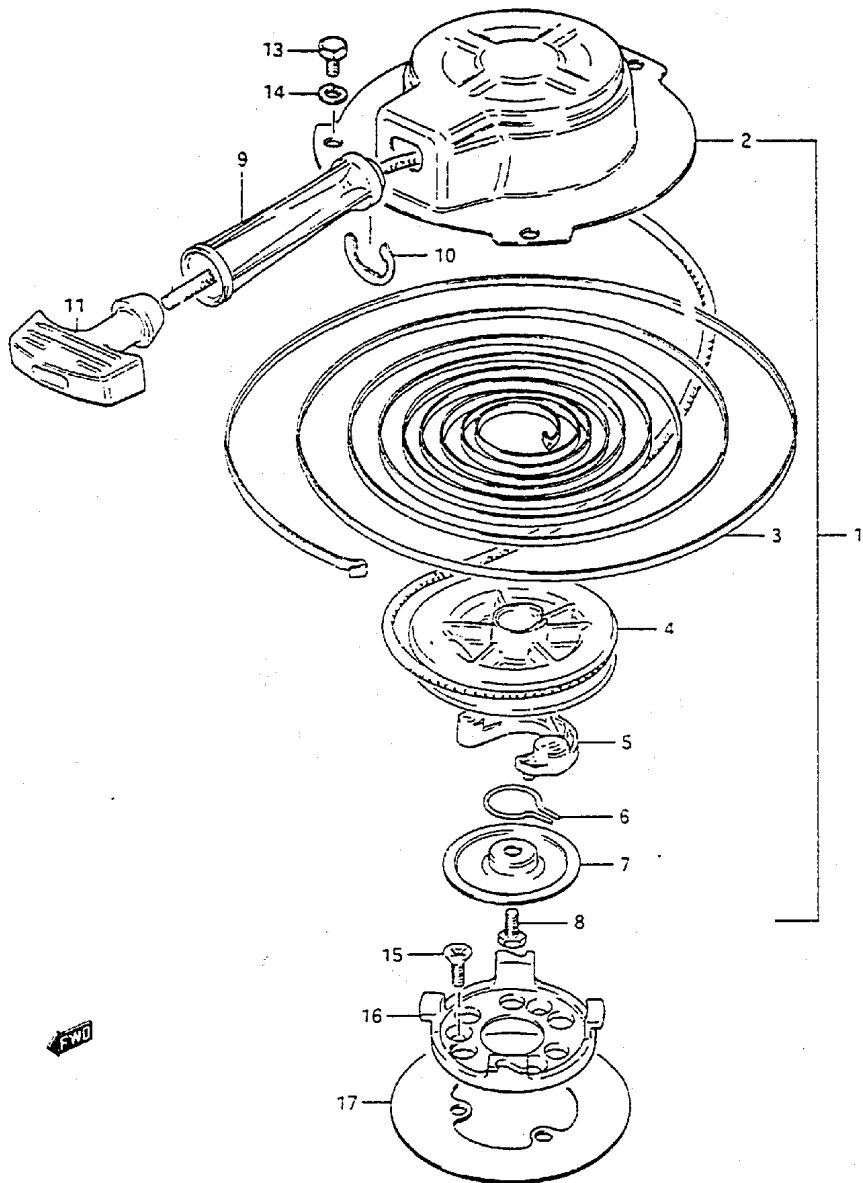
REMARKS

REF NO.	PART NO	DESCRIPTION	Q'TY	REMARKS
30	13253-98430	.ARM, float	1	
31	13254-98410	.PIN, float	1	
32	13251-98420	.GASKET, float chamber	1	
33	13245-98430	.FLOAT CHAMBER	1	
34	08321-01043	.LOCK WASHER	2	
35	02112-04163	.SCREW	2	
36	13586-98410	.SHAFT, choke	1	
37	09125-05122	.SCREW	1	
38	13523-46110	.GASKET	1	
39-1	09491-95004	.JET, main (#95)	1	DT2
39-2	09491-20013	.JET, main (#100)	1	DT2.2 model:97
39-3	09491-80011	JET, main (#80)	1	OPT
39-4	09491-85005	JET, main (#85)	1	OPT
39-5	09491-95004	JET, main (#95)	1	OPT
39-6	09491-20013	JET, main (#100)	1	OPT
40	88851-64001	KNOB, throttle link	1	
41	02122-03067	SCREW	1	
42	13631-98410	KNOS, choke	1	
43	02112-03107	SCREW	1	
44	09352-70113-600	PROTECTOR, throttle lever	1	L:600+20

FWG



FIG.7



9

FIG.7 ( C- 2) STARTER (MODEL:86-89)

Q'TY

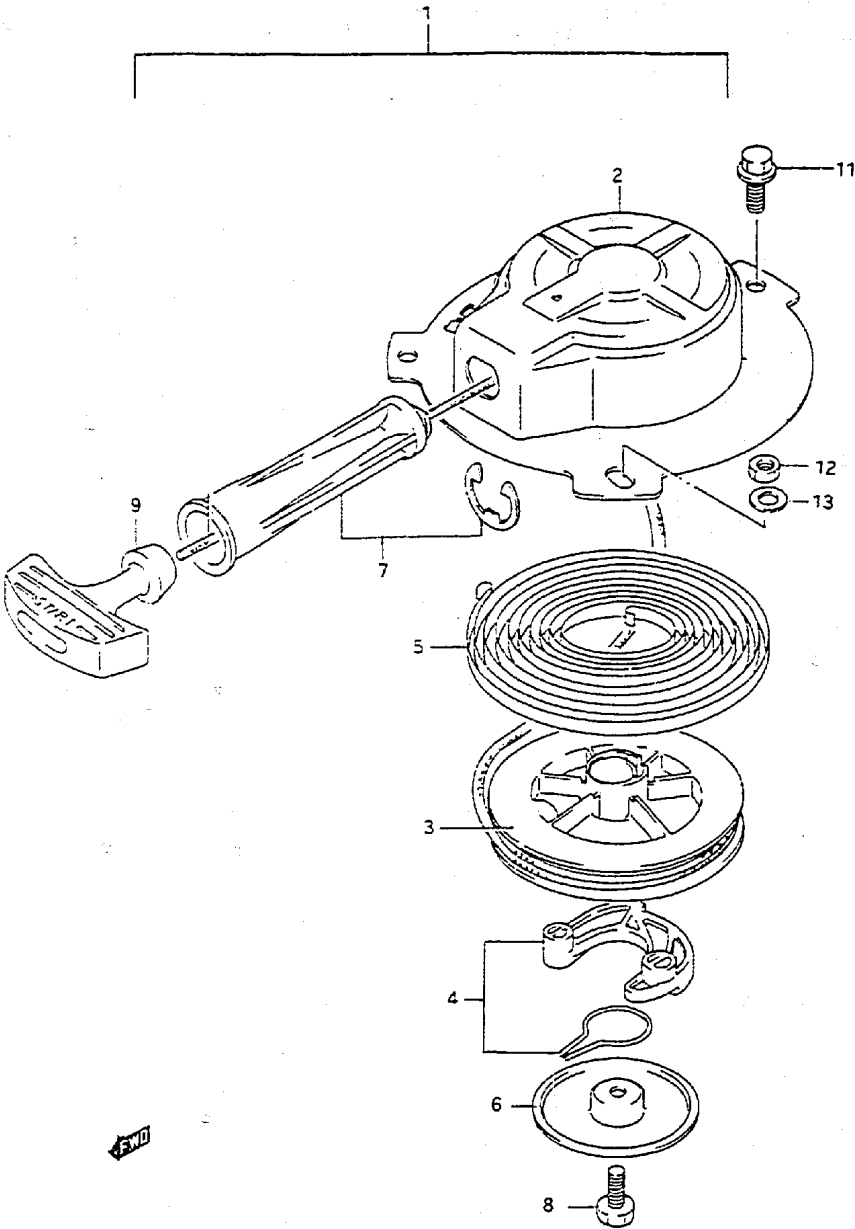
REMARKS

REF NO.	PART NO	DESCRIPTION	Q'TY	REMARKS
1	18100-98401	STARTER, recoil	1	
2	18111-98400	.CASE, starter	1	
3	18142-87600	.SPRING, recoil	1	
4	18121-98400	.DRUM, sheave	1	
5	18131-98400	.PAWL, drive	1	
6	18153-98410	.SPRING, pilot shaft	1	
7	18151-98400	.PLATE	1	
8	18332-98400	.BOLT, pivot	1	
9	18161-98400	.GUIDE, rope	1	
10	18183-98400	.E RING	1	
11	18210-93500	.GRIP	1	
13	01500-06107	BOLT	2	
14	08321-01067	LOCK WASHER	2	
15	02122-06127	SCREW	3	
16	18411-98401	CUP, starter	1	
17	32725-98401	INSULATOR, magneto	1	

Refer to FIG.8 (C-3) for MODEL:90-97

FWD

FIG.8

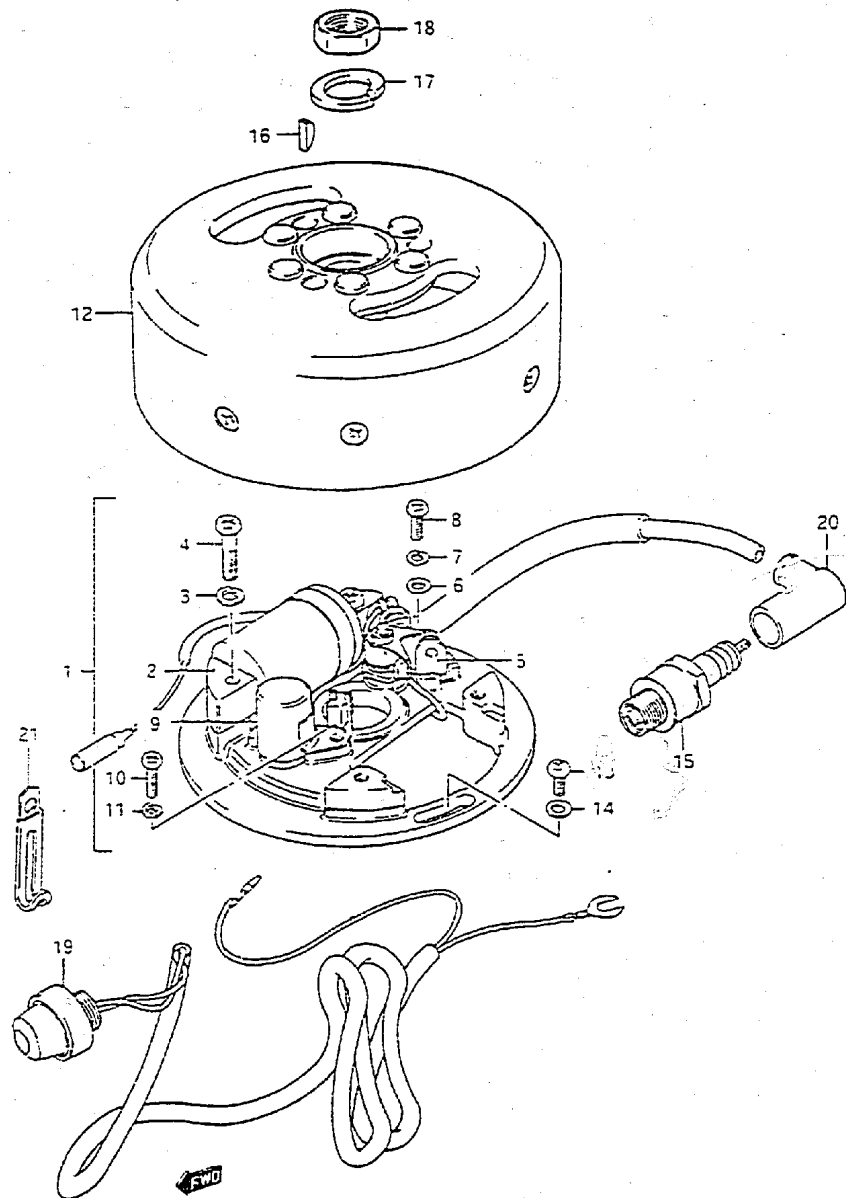


10

FIG.8 ( C-3) STARTER (MODEL:90-97)

REF NO.	PART NO	DESCRIPTION	Q'TY	REMARKS
1	18100-98410	STARTER ASSY, recoil	1	
2	18110-98410	.CASE, starter	1	
3	18121-98400	.REEL	1	
4	18130-98400	.RATCHET SET	1	
5	18142-87600	.SPRING, spiral	1	
6	18151-98400	.PLATE, friction	1	
7	18190-98400	.GUIDE SET	1	
8	18332-98400	.BOLT	1	
9	18210-98400	.GRIP	1	
11-1	09103-06152	BOLT, recoil starter	1	
11-2	02162-06127	BOLT	1	model:95-97
12-1	09140-06020	NUT, recoil starter	1	-model:93
12-2	08316-10067	NUT, recoil starter	1	model:94-97
13	09160-06082	WASHER	1	-model:93

FIG.9



11

FIG.9 ( C- 4) MAGNETO (MODEL:86-89)

REF NO.	PART NO	DESCRIPTION	Q'TY	REMARKS
1	32101-98436	STATOR ASSY	1	
2	32140-98431	.COIL, ignition	1	
3	08321-01057	.LOCK WASHER	2	
4	02112-05257	.SCREW	2	
5	32240-98034	.POINT ASSY, contact	1	
6	08322-01047	.WASHER	1	
7	08321-01043	.LOCK WASHER	1	
8	02112-04107	.SCREW	1	
9	32341-98430	.CONDENSER	1	
10	02112-04107	.SCREW	1	
11	08321-01043	.LOCK WASHER	1	
12	32102-98431	FLYWHEEL	1	
13	02112-05127	SCREW	2	
14	08322-01057	WASHER	2	
15	09482-00289	SPARK PLUG (B4H,NGK)	1	
16	08341-31039	KEY	1	
17	08321-01127	LOCK WASHER	1	
18	08310-00127	NUT	1	
19	37800-93954	SWITCH ASSY, engine stop	1	
20	33510-95520	CAP, spark plug	1	
21	09404-06207	CLAMP, magneto lead wire	1	

Refer to FIG.10 (C-5) for model:90-97

FIG.10

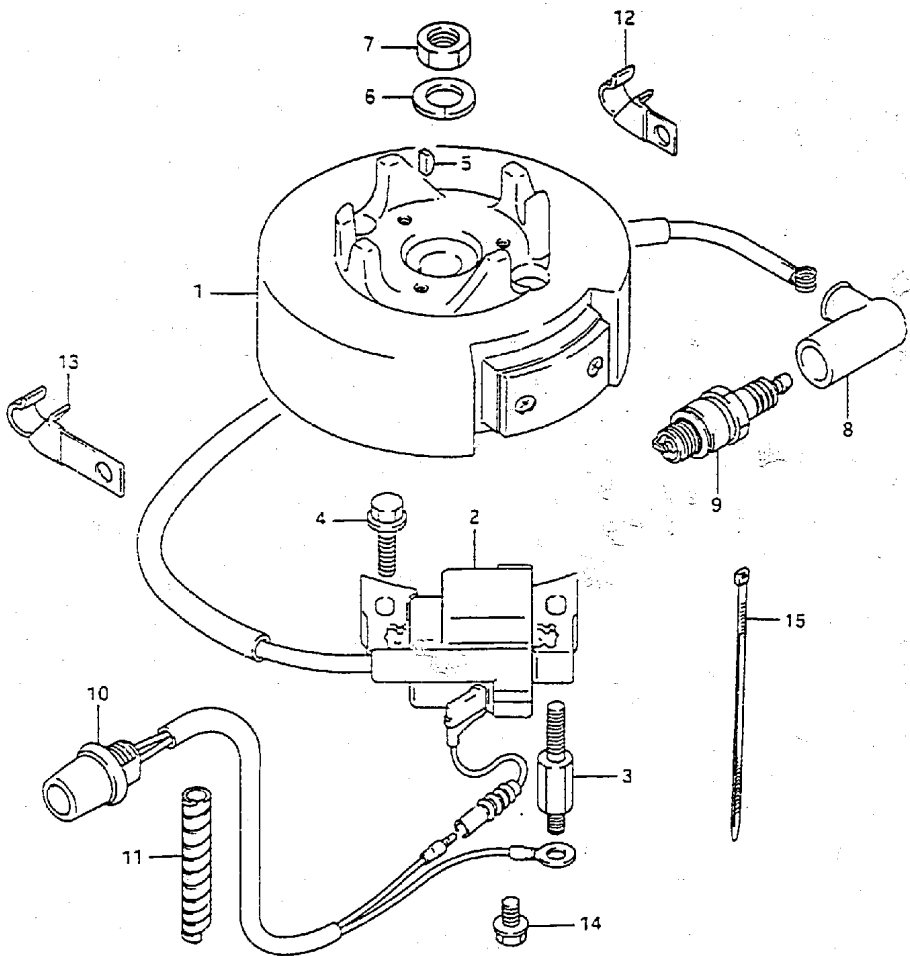
12

FIG.10 ( C- 5) MAGNETO (MODEL:90-97)

Q'TY

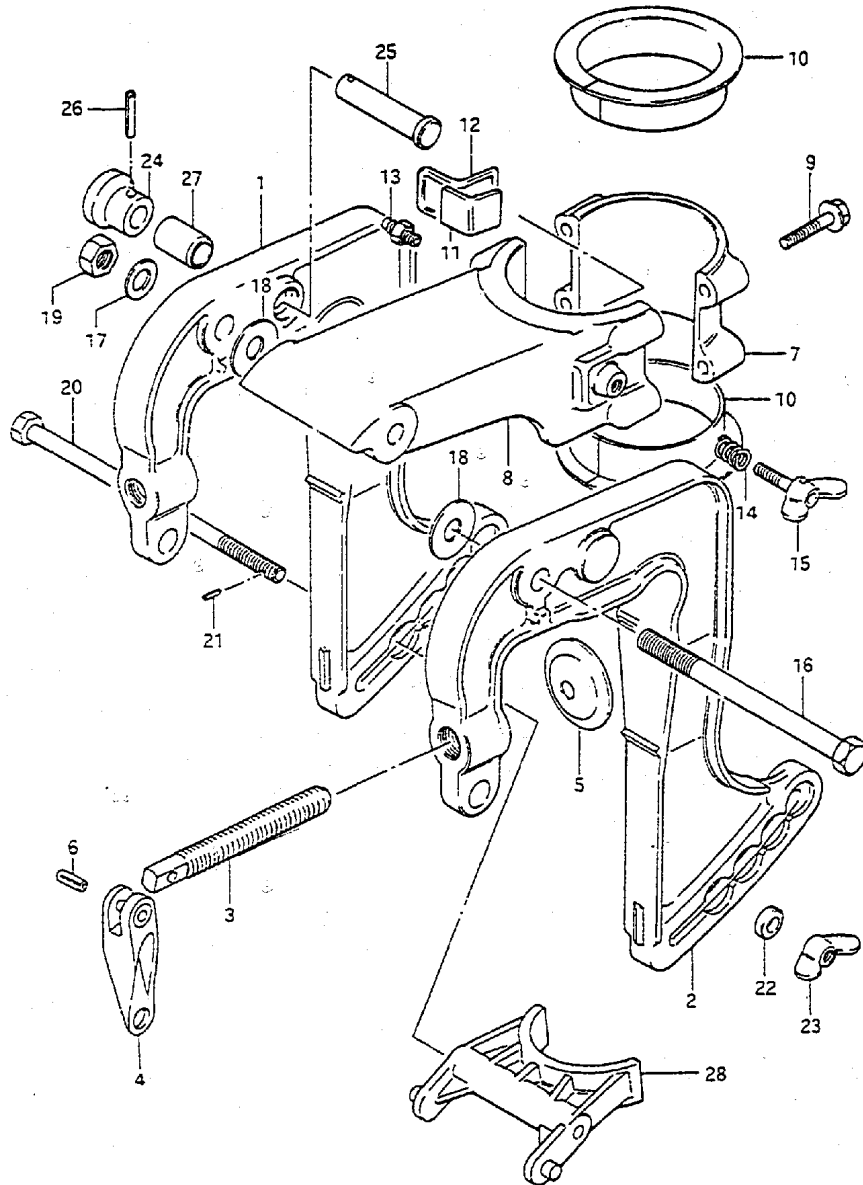
REMARKS

REF NO.	PART NO	DESCRIPTION	Q'TY	REMARKS
1-1	32102-98440	FLYWHEEL	1	DT2
1-2	32102-98441	FLYWHEEL	1	DT2:016975-
1-3	32102-94E00	FLYWHEEL	1	DT2.2 model:97
2	33410-98440	COIL, ignition	1	
3	09108-06110	BOLT	1	
4	01550-06257	BOLT	1	
5	08341-31039	KEY	1	
6	08321-01123	LOCK WASHER	1	
7	09140-12038	NUT	1	
8-1	33510-95520	CAP, spark plug	1	DT2
8-2	33510-98600	CAP, spark plug	1	DT2.2 model:97
9-1	09482-00282	SPARK PLUG (B5HS,NGK)	1	
9-2	09482-00143	SPARK PLUG (BR5HS,NGK)	1	model:93-97
10	37800-98423	SWITCH ASSY, stop	1	
11	38423-95510	TUBE	1	L:150→50
12	09403-12308	CLAMP, hightension cord	1	
13	09403-10312	CLAMP, hightension cord	1	
14	01550-06107	BOLT	1	
15	09407-08401	CLAMP	1	



END

FIG.11



13

FIG.11 ( D- 2) CLAMP BRACKET

REF NO.	PART NO	DESCRIPTION	Q'TY	REMARKS
1	41110-98420-OED	BRACKET, clamp STBD	1	
2	41120-98420-OED	BRACKET, clamp PORT	1	
3	41211-98600	.SCREW, clamp	2	
4	41212-98601	.HANDLE, clamp	2	
5	41213-98100	.PLATE, clamp	2	
6-1	09205-05013	.PIN	2	DT2
6-2	09205-05009	.PIN	2	DT2.2 model:97
7	43121-98404-OED	COVER, swivel bracket	1	
8	43111-98410-OED	BRACKET, swivel	1	
9	09103-06095	BOLT (6x35)	4	
10	43711-98401	BUSHING, steering	2	
11	43415-98402	PLATE, steering adjuster	1	
12	43416-98401	RUBBER, steering adjuster	1	
13	22511-99010	GREASE NIPPLE	1	
14	09440-09025	SPRING	1	
15	09119-06059	BOLT	1	
16	09100-08228	BOLT (8x105)	1	
17-1	09160-08082	WASHER (8.5x16x1.2)	1	DT2
17-2	09160-08091	WASHER (8.5x14x1.0)	1	DT2.2 model:97
18	09160-08081	WASHER (8.5x23x1.5)	2	
19	09159-08018	NUT	1	
20	09101-06009	BOLT (6x115)	1	
21-1	09205-03032	PIN (3x8)	1	DT2
21-2	09205-03019	PIN (3x10)	1	DT2.2 model:97
22	09180-06132	SPACER (6.5x13.5x7.5)	1	
23	09144-06004	NUT	1	
24	41221-98400	KNOB, tilt stopper	1	
25	09200-10011	PIN	1	
26	09205-03012	PIN	1	
27	09300-10006	BUSHING	1	
28	45411-98410	BLOCK, thrust	1	

COLOR : OED (Gray)

DT2/DT2.2 E3

FIG.12

FIG.12 ( D-3) GEAR CASE

Q'TY

REF NO.	PART NO	DESCRIPTION	Q'TY	REMARKS
1	52111-98420-OED	HOUSING, drive shaft	1	W/SUS
2	09118-06098	BOLT (6x20)	6	
3-1	55110-98403-O2M	CASE, gear (S)	1	model:86 →55110-98440-O2M used with 09139-06049, 09168-06002,09248-10008, 09168-10022
3-2	55110-98440-OED	CASE, gear (S)	1	model:89-97 +55110-98406-OED,W/SUS
3-4	55110-98411-O2M	CASE, gear (L)	1	model:86,87 →55110-98450-O2M used with 09248-10008, 09168-10022
3-4	55110-98450-OED	CASE, gear (L)	1	model:89-96 +55110-98413-OED,W/SUS
4	08113-60000	.BEARING	2	
5	09180-19004	.SPACER (19x25.4x1.5)	1	transom:L
6	57133-98400	.SPACER	1	transom:S
7	09262-12001	.BEARING (12x28x8)	1	+08113-60010
8-1	08221-22283	.SHIM (T:0.1)	0-2	
8-2	08221-22284	.SHIM (T:0.2)	0-2	
8-3	08221-22285	.SHIM (T:0.5)	0-2	DT2
8-4	09181-22130	.SHIM (T:0.5)	0-2	DT2.2 model:97
9	08331-41286	.CIRCLIP	1	
10	09289-12002	.OIL SEAL (12x28x8)	1	
11-1	09181-20004	.SHIM (20x26x0.5)	1	DT2
11-2	09181-20130	.SHIM (20x26x0.5)	1	DT2.2 model:97
12	09305-20001	BUSHING, seal pipe	1	
13	57151-98400	PIPE, drive shaft seal	1	
14	09108-05062	STUD BOLT (6x12)	1	
15	09206-09007	PIN (9x5)	1	
16	09162-06006	LOCK WASHER	1	
17	09140-06020	NUt	2	
18	09108-06063	STUD BOLT (6x20)	1	
19	09206-09001	PIN (9x10)	1	

COLOR : O2M (Silver) OED (Gray)

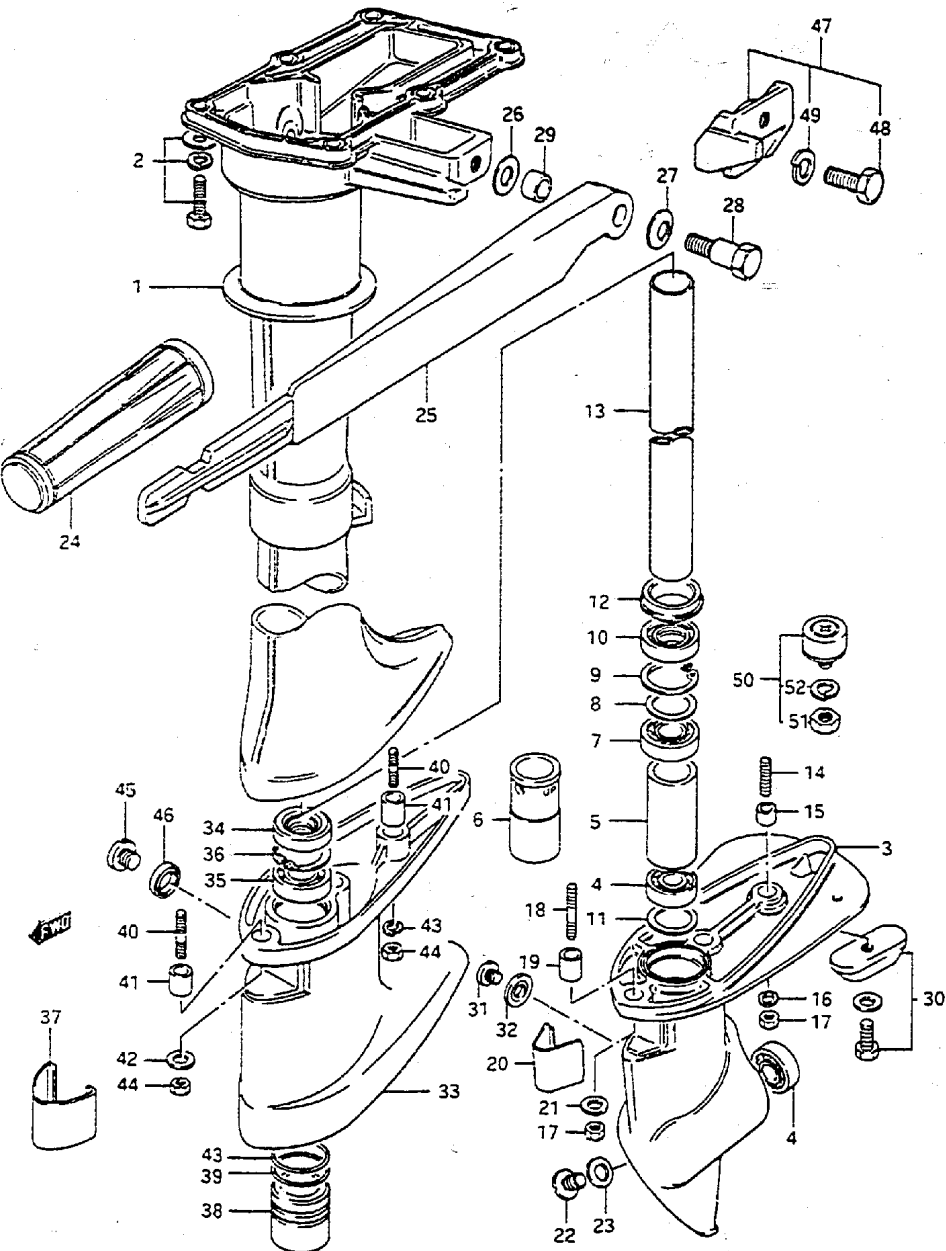




FIG.12

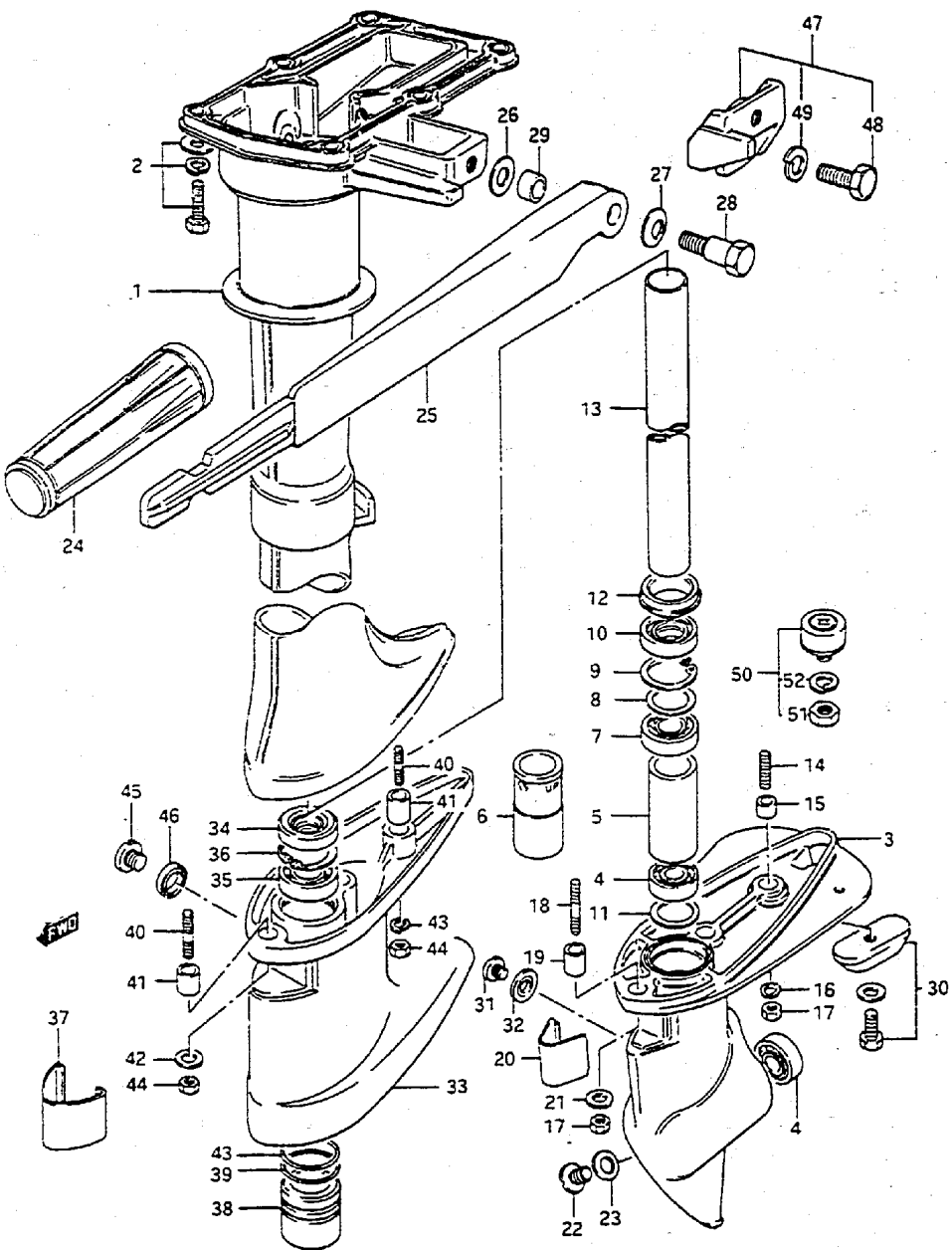


FIG.12 ( D- 4) GEAR CASE

Q'TY

REF. NO.	PART NO.	DESCRIPTION	Q'TY	REMARKS
20	55112-98401-OED	COVER, gear case bolt	1	
21	09160-06082	WASHER (6.5x16x2.3)	1	
22-1	09139-06049	SCREW, drain	1	model:86,87
22-2	09248-10008	PLUG, drain	1	model:88-97
23-1	09168-06004	GASKET	1	model:86,87
23-2	09168-10022	GASKET (10x17x2)	1	model:88-97
24	63211-98400	GRIP, handle	1	
25	63111-98403-OED	HANDLE, tiller	1	
26	09160-08081	WASHER	1	
27	09164-10006	WASHER	2	
28	09111-08070	BOLT	1	
29	09306-10009	BUSHING	1	
30	55320-98400	ZINC SET	1	
31-1	09139-06048	SCREW, oil level	1	model:86,87
31-2	09248-10008	PLUG	1	model:88-97,type:S
32-1	09168-06004	GASKET, oil level	1	model:86,87
32-2	09168-10022	GASKET	1	model:88-97,type:S
33	52130-98401-OED	CASE, extension (L)	1	
34	09289-12002	.OIL SEAL	1	
35	09262-12001	.BEARING	1	
36	08351-41286	.CIRCLIP	1	
37	52133-98401-OED	COVER, extension	1	
38	52132-98400	COLLAR, extension	1	
39	09280-25005	O RING	2	
40	09108-06068	BOLT	2	
41	09206-09010	PIN	2	

COLOR : OED (Gray)

FIG.12

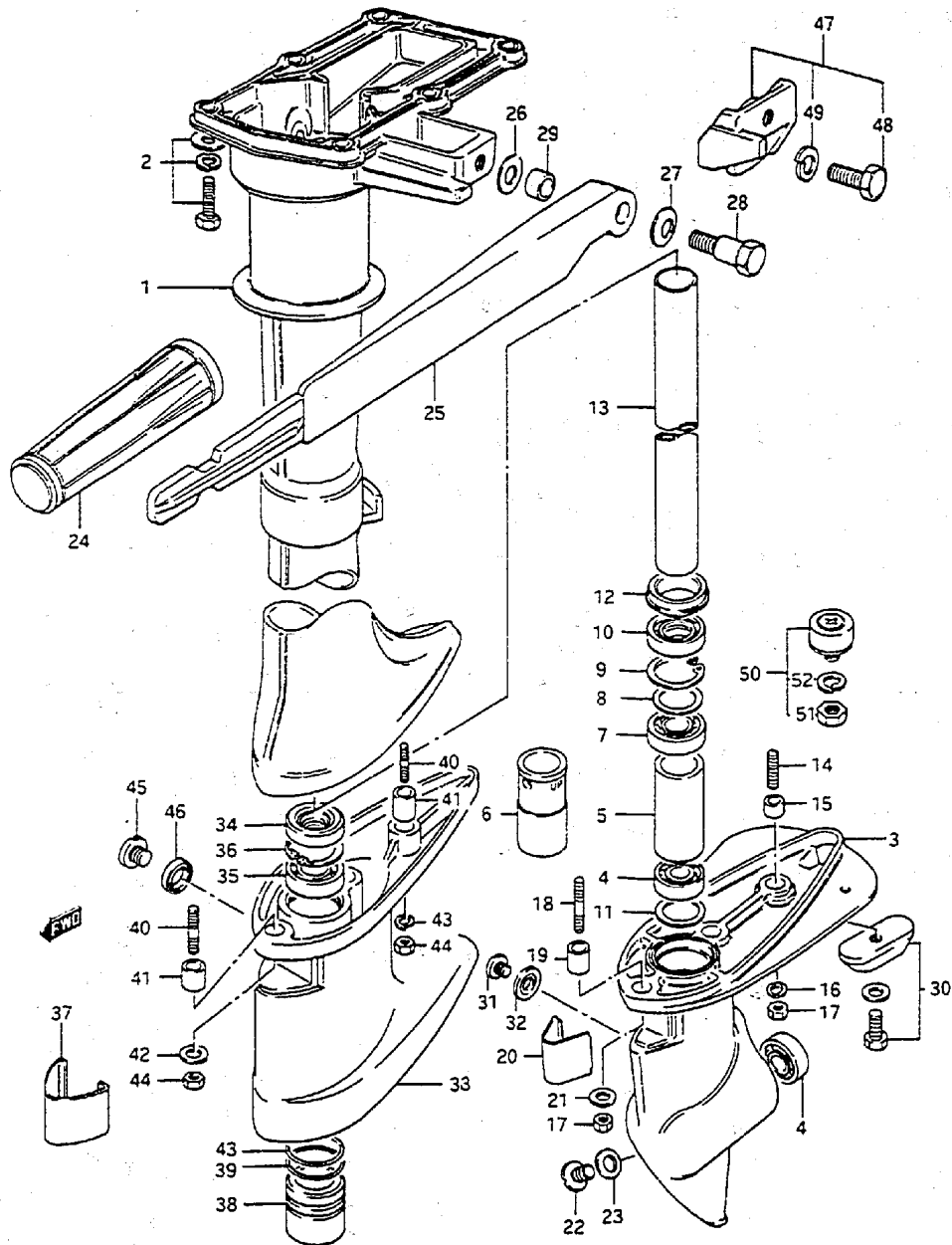


FIG.12 ( D- 5) GEAR CASE

REF NO.	PART NO	DESCRIPTION	Q'TY	REMARKS
42	09160-06082	WASHER	1	
43	09162-06006	LOCK WASHER	1	
44	09140-06020	NUT	2	
45	09248-10008	PLUG	1	
46	09168-10022	GASKET	1	
47	52120-98400-OED	ATTACHMENT, tiller handle	1	OPT
48	09100-08219	.BOLT	1	OPT
49	09162-08007	.LOCK WASHER	1	OPT
50	55300-98400	ZINC SET	1	OPT
51	09140-06020	.NUT	1	OPT
52	09162-06006	.LOCK WASHER	1	OPT

COLOR : OED (Gray)

FIG.13

FIG.13 ( D- 6) TRANSMISSION

Q'TY

REMARKS

REF NO.	PART NO	DESCRIPTION	Q'TY	REMARKS
1-1	57110-98400	SHAFT, drive (S)	1	L:578
2-1	08221-10165	SHIM, pinion (T:0.5)	0-2	DT2
2-2	09181-10130	SHIM, pinion (T:0.5)	0-2	DT2.2 model:97
2-3	09181-10009	SHIM, pinion (T:0.4)	0-2	
2-4	09181-10008	SHIM, pinion (T:0.3)	0-2	
3	57311-98402	PINION	1	
4	08332-11063	E RING	1	
5-1	09181-10130	SHIM, gear (T:0.5)	0-2	
5-2	09181-10009	SHIM, gear (T:0.4)	0-2	
5-3	09181-10008	SHIM, gear (T:0.3)	0-2	
6	57610-98403	SHAFT, propeller (NT:23)	1	
7	09202-04002	SHEAR PIN	3	
8	09180-10138	SPACER (10x14x17)	1	
9-1	58111-98402-019	PROPELLER (3x188x135)	1	A510
9-2	58111-98452-019	PROPELLER (3x188x122)	1	A500
9-3	58111-98465-019	PROPELLER (3x188x115)	1	A400
10	09204-02001	COTTER PIN	2	

COLOR : 019 (Black)

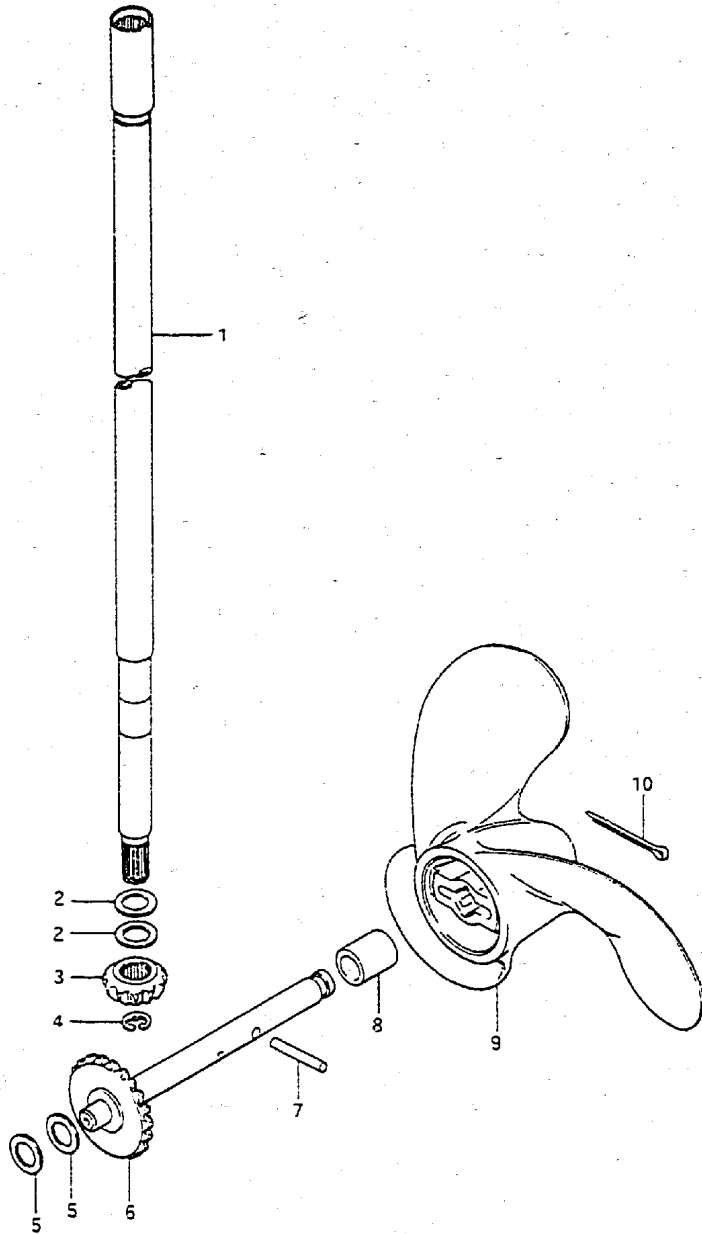
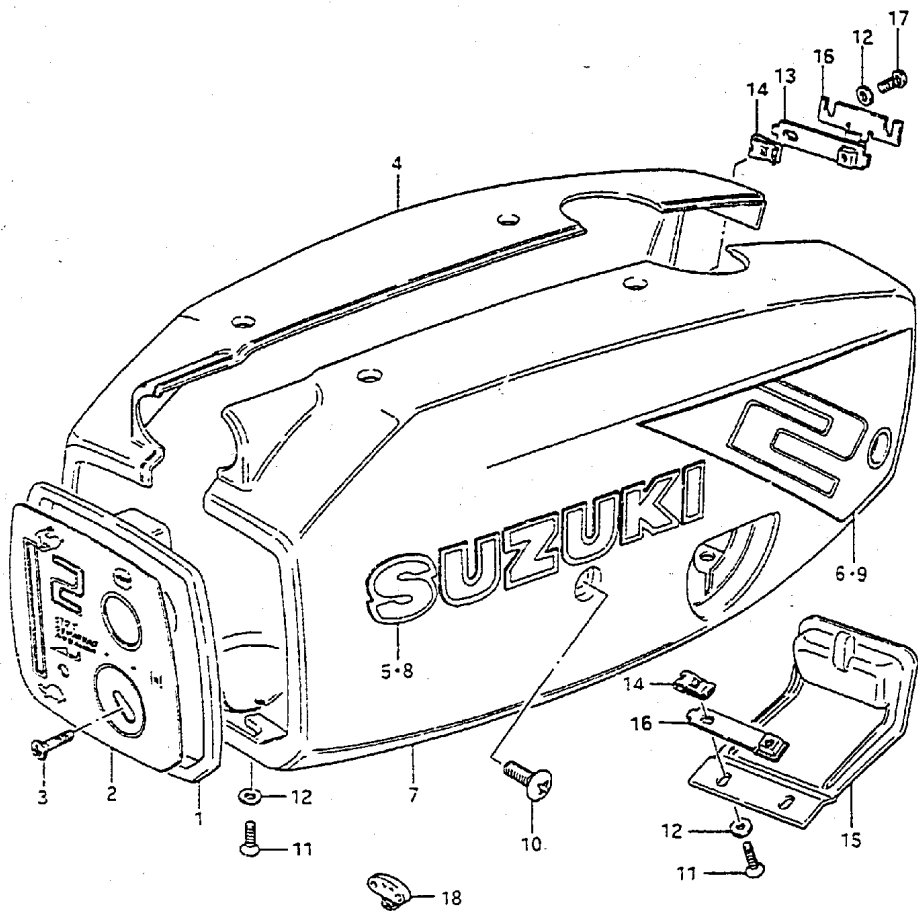


FIG.14



18

FIG.14 ( E- 2) ENGINE COVER (MODEL:86)

Q'TY

REF NO.	PART NO	DESCRIPTION	Q'TY	REMARKS
1	61420-98402	EMBLEM, engine cover front	1	
2	61422-98430-74K MARK	front emblem	1	
3	09126-04003	SCREW (4x35)	2	
4	61461-98430-02M COVER	engine STBD	1	
5	68111-47C00-019	EMBLEM, side	1	
6	61443-98460-70G STRIPE	side STBD	1	
7	61471-98430-02M COVER	engine PORT	1	
8	68111-47C00-019	EMBLEM, side	1	
9	61453-98460-70G STRIPE	side PORT	1	
10	09125-06067	SCREW (6x16)	4	
11	09125-05028	SCREW (5x12)	4	
12	09160-05032	WASHER (5.5x10x0.8)	4	
13	61490-98400	PLATE, engine cover	4	
14	09148-05011	NUT	4	
15	61481-98410	HINGE, engine cover	1	
16	61485-98401	SPRING, engine cover hinge	1	
17	09126-05003	SCREW (5x12)	6	
18	61521-98400	HOLDER, shear pin	1	

Refer to FIG.15 (E- 3) for MODEL:87-93  
 Refer to FIG.16 (E- 4) for MODEL:94-96  
 Refer to FIG.17 (E- 5) for MODEL:97 (DT2.2)

COLOR : 74K (064/019/764)  
 02M (Silver)  
 064 (White)  
 019 (Black)  
 76A (Gold)  
 26G (Black)

FIG. 15

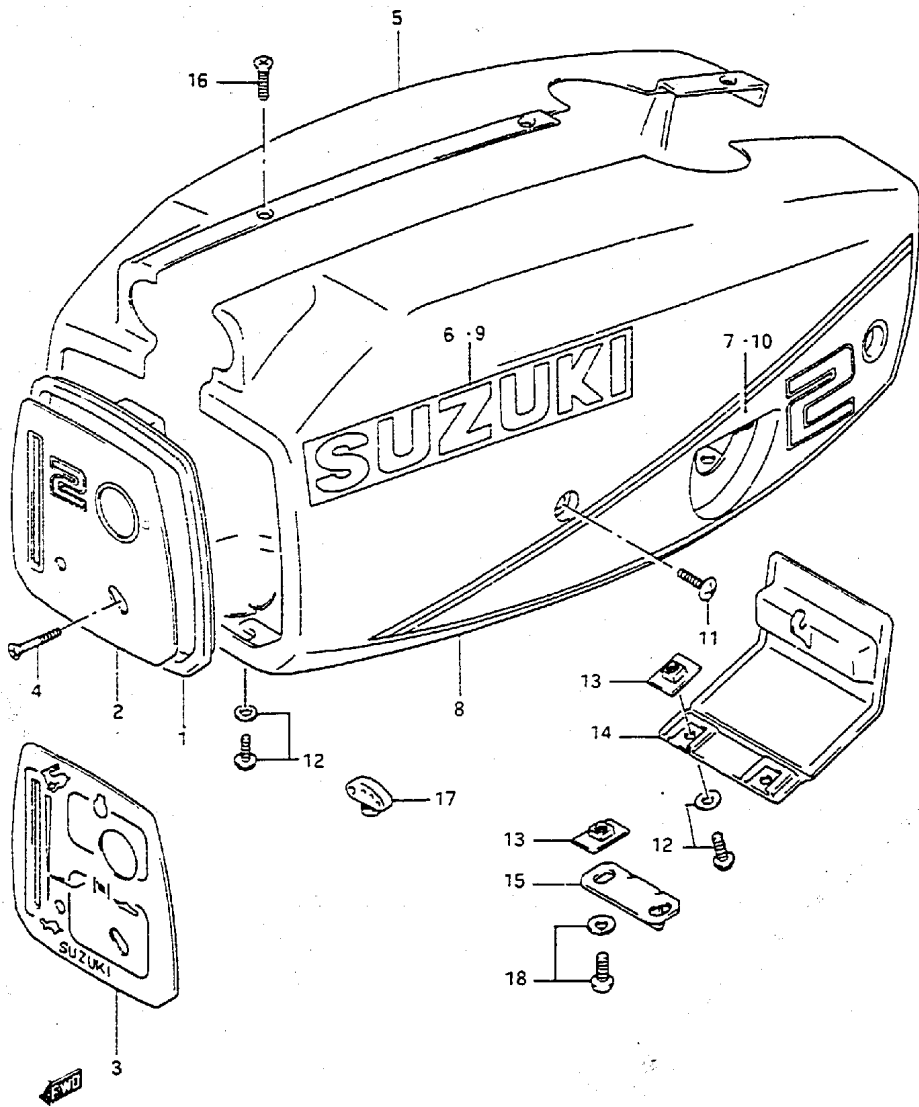


FIG.15 ( E- 3) ENGINE COVER (MODEL:87-93)

Q'TY

REF. NO.	PART NO.	DESCRIPTION	Q'TY	REMARKS
1	61420-98402	EMBLEM, engine cover front	1	+61420-98401
2	61422-98430-74K	MARK, front emblem	1	model:87-89
3	61422-98420-60K	MARK, front emblem	1	model:90-93
4	09126-04003	SCREW (4x35)	2	
5-1	61461-98810-02M	COVER SET, engine STBD	1	model:87 +61461-98450-OEM
5-2	61461-98851-OEM	COVER SET, engine STBD	1	model:88-93
6-1	68111-47C00-019	EMBLEM, SUZUKI	1	model:87,88
6-2	61441-98620	EMBLEM, SUZUKI	1	model:89-93
7	61443-98460-70G	DECAL, engine cover	1	
8-1	61471-98810-02M	COVER SET, engine PORT	1	model:87 +61471-98452-OEM
8-2	61471-98853-OEM	COVER SET, engine PORT	1	model:88-93
9-1	68111-47C00-019	EMBLEM, SUZUKI	1	model:87,88
9-2	61441-98620	EMBLEM, SUZUKI	1	model:89-93
10	61453-98460-70G	DECAL, engine cover	1	model:87-93
11	09125-06067	SCREW (6x16)	4	+09125-06021
12	09136-05038	SCREW (5x12)	4	
13	61490-98410	PLATE, engine cover	5	
14	61481-98430-OEM	HINGE, engine cover	1	
15	61485-98410	SPRING, engine cover hinge	1	
16	09126-05007	SCREW (5x12)	3	
17	61521-98400	HOLDER, shear pin	1	
18	02142-05087	SCREW	2	

COLOR : 74K (064/019/764) 70G (764/019)  
 02M (Silver) 064 (White)  
 36Z (Gray) 019 (Black)  
 OEM (Gray) 764 (Gold)  
 26G (Black) 60K (019/064)

FIG. 16

20

FIG.16 ( E- 4) ENGINE COVER (MODEL:94-96)

Q'TY

REF NO.	PART NO	DESCRIPTION	Q'TY	REMARKS
1	61420-98402	EMBLEM, engine cover front	1	
2	61481-98430-OEM	HINGE, engine cover	1	
3	61485-98410	SPRING, engine cover hinge	1	
4	61490-98410	PLATE, engine cover	5	
5	61521-98400	HOLDER, shear pin	1	
6	09125-06067	SCREW	4	
7	09126-04003	SCREW	2	
8	09126-05007	SCREW	3	
9	09136-05008	SCREW	4	
10	02142-05087	SCREW	2	
11	61460-98Y11-OEM	COVER SET, engine STBD	1	
12	61443-98471	.STRIPE, engine cover STBD	1	
13	68111-01C20-C4Z	.EMBLEM, SUZUKI	1	
14	61470-98Y11-OEM	COVER SET, engine PORT	1	
15	61453-03471	.STRIPE, engine cover PORT	1	
16	68111-01C20-C4Z	.EMBLEM, SUZUKI	1	
17	61445-98470	DECAL, output	2	
18	61581-98400	MARK, safety warning	1	
19	65893-92D01	LABEL, certification	1	
20	61422-98420-60K	MARK, emblem front	1	

COLOR : 60K (019/064)  
 019 (Black)  
 064 (White)

OEM (Gray)  
 C4Z (OEM/IRR)  
 IRR (Gold)

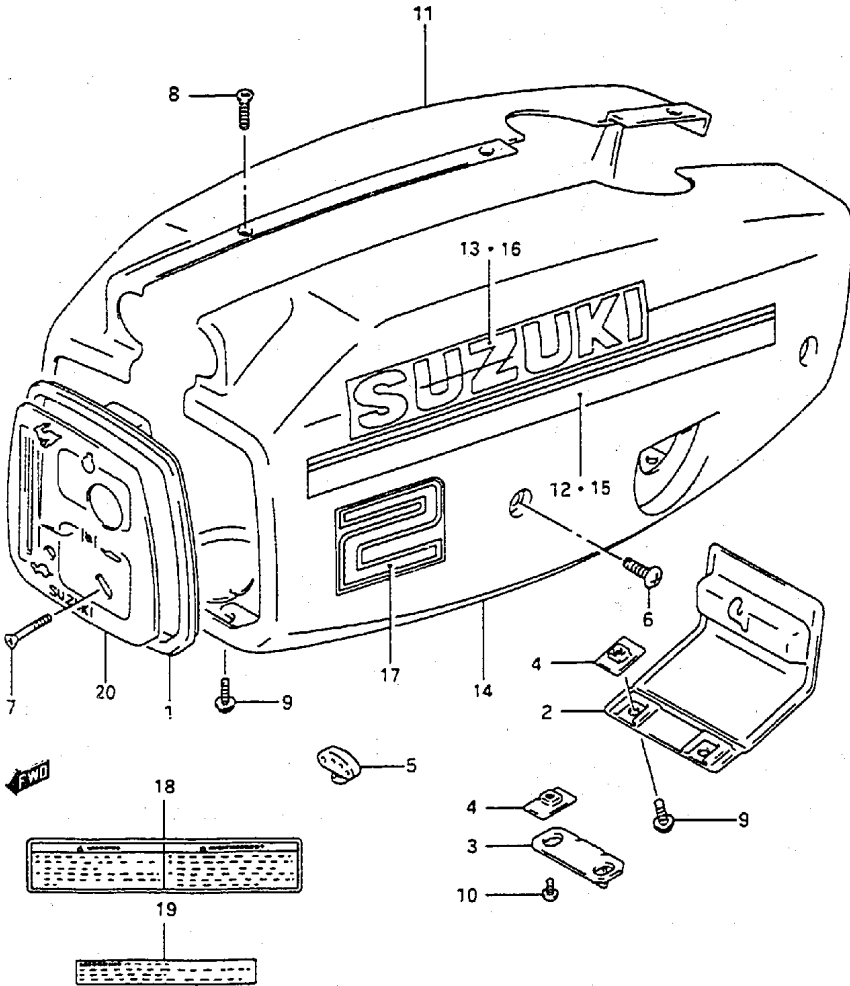
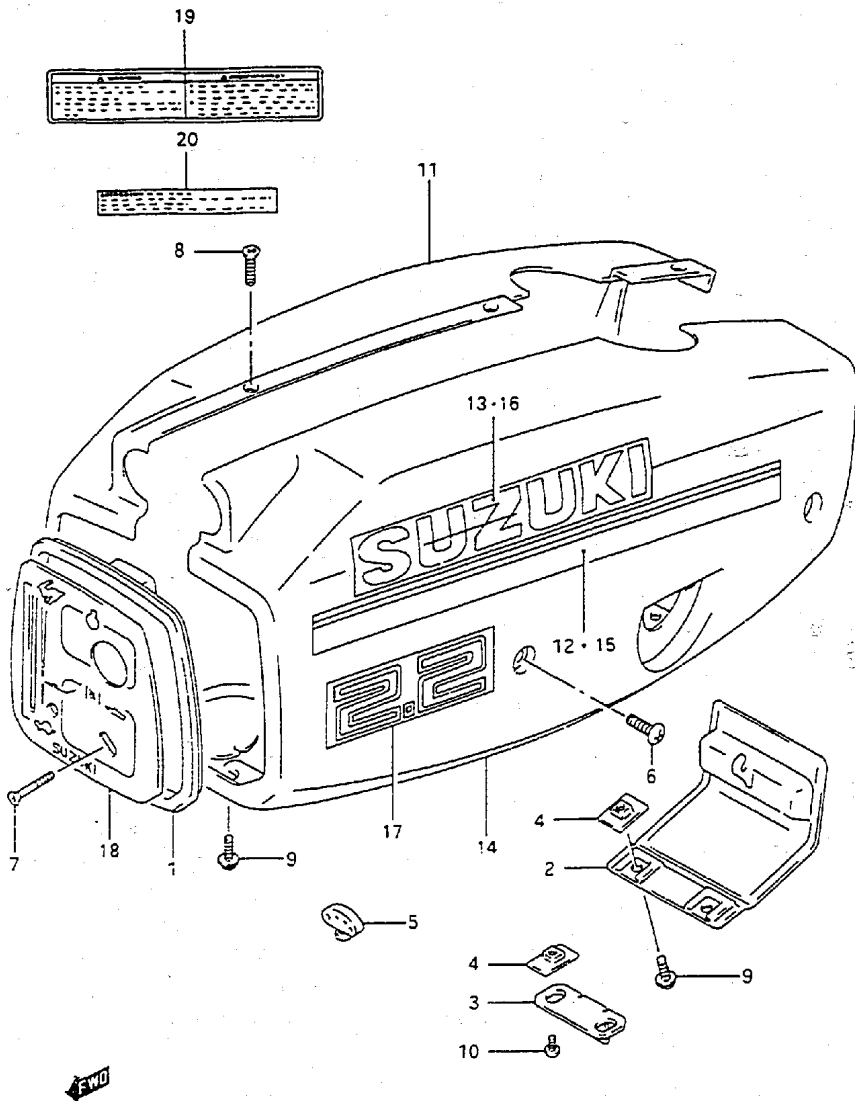


FIG. 17



71

FIG.17 ( E- 5) ENGINE COVER (MODEL:97 DT2.2)

REF NO.	PART NO.	DESCRIPTION	Q'TY	REMARKS
1	61420-98402	EMBLEM, engine cover front	1	
2	61481-98430-OEM	HINGE, engine cover	1	
3	61485-98410	SPRING, engine cover hinge	1	
4	61490-98410	PLATE, engine cover	5	
5	61521-98400	HOLDER, shear pin	1	
6	09125-06067	SCREW	4	
7	09126-04003	SCREW	2	
8	09126-05007	SCREW	3	
9	09136-05008	SCREW	4	
10	02112-15087	SCREW	2	
11	61460-98Y11-OEM	COVER SET, engine STBD	1	
12	61443-98471	.STRIPE, engine cover STBD	1	
13	68111-01C20-C4Z	.EMBLEM, SUZUKI	1	
14	61470-98Y11-OEM	COVER SET, engine PORT	1	
15	61453-98471	.STRIPE, engine cover PORT	1	
16	68111-01C20-C4Z	.EMBLEM, SUZUKI	1	
17	61445-98480	DECAL, output	2	
18	61422-98420-60K	MARK, emblem front	1	
19	61581-98400	MARK, safety warning	1	
20	65893-92D01	LABEL, certification	1	

COLOR : 60K (019/064)  
 019 (Black)  
 064 (White)

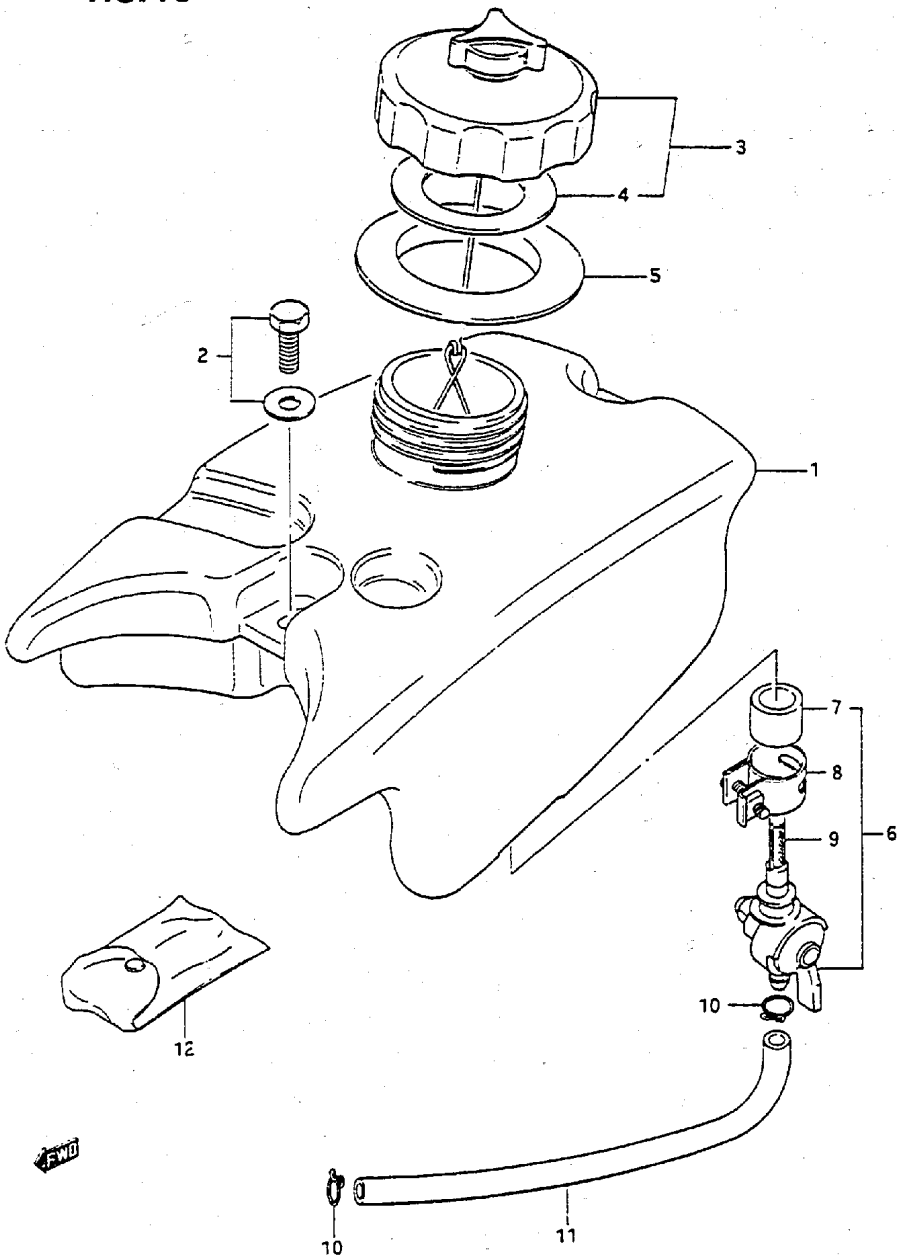
OEM (Gray)  
 C4Z (OEM/IRR)  
 IRR (Gold)

FIG. 18

FIG.18 ( E- 6) FUEL TANK

Q'TY

REF NO.	PART NO	DESCRIPTION	Q'TY	REMARKS
1	65111-98403	TANK, fuel	1	
2	02162-06167	BOLT (6x16)	2	
3	65510-98410	CAP ASSY, fuel tank	1	
4	09168-32001	.GASKET (32x48x2.5)	1	
5	65281-98400	GROMMET, fuel tank	1	
6	66100-98401	COCK ASSY, fuel	1	
7	66142-98401	.PIPE, joint	1	
8	66165-98401	.CLAMP	1	
9	66152-98400	.FILTER	1	
10	09401-08410	CLIP	2	
11-1	09352-50903-600	HOSE, fuel	1	L:600+215 model:86-89
11-2	09352-50903-600	HOSE, fuel	1	L:600+210 model:90-97
12	09800-01001	TOOL SET	1	

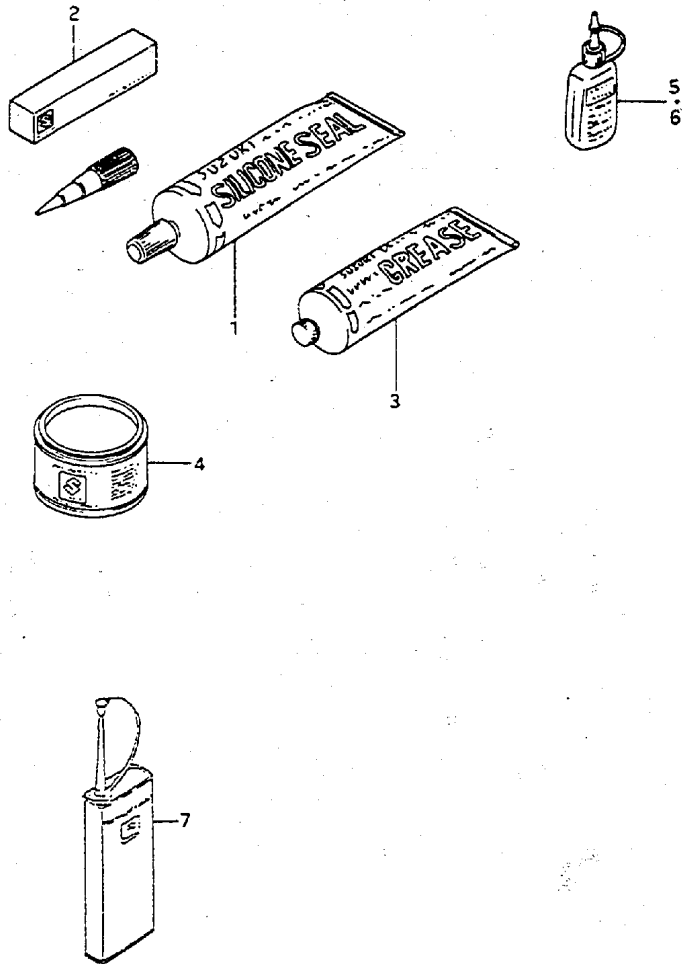


END



FIG.19

FIG.19 ( E- 7) OPTIONAL



REF NO.	PART NO	DESCRIPTION	Q'TY	REMARKS
1	99000-31120	SUZUKI SILICONE SEAL (50g)	1	for gear case
2-1	93691-80030	GASKET, liquid (100g)	1	for gear case
2-2	99000-31010	GASKET, liquid (150g)	1	for crank case
3	99000-25160	GREASE, water resistant (250g)	1	
4	99000-25010	SUZUKI SUPER GREASE A (450g)	1	for crank oil seal
5	99000-32050	THREAD LOCK "1342" (50g)	1	
6	99000-32020	THREAD LOCK SUPER "1333B"	1	50g
7	99000-32040	CEMENT, thread lock (200g)	1	
8-1	99011-94021-03A	MANUAL, owner's	1	model:89 not shown
8-2	99011-94022-03A	MANUAL, owner's	1	model:90 not shown
8-3	99011-94023-03A	MANUAL, owner's	1	model:91 not shown
8-4	99011-94024-03A	MANUAL, owner's	1	model:92 not shown
8-5	99011-94025-03A	MANUAL, owner's	1	model:93 not shown
8-6	99011-94026-03A	MANUAL, owner's	1	model:94 not shown
8-7	99011-94027-03A	MANUAL, owner's	1	model:95 not shown
8-8	99011-94029-03A	MANUAL, owner's	1	model:96 not shown
8-9	99011-94031-03A	MANUAL, owner's	1	model:97 not shown